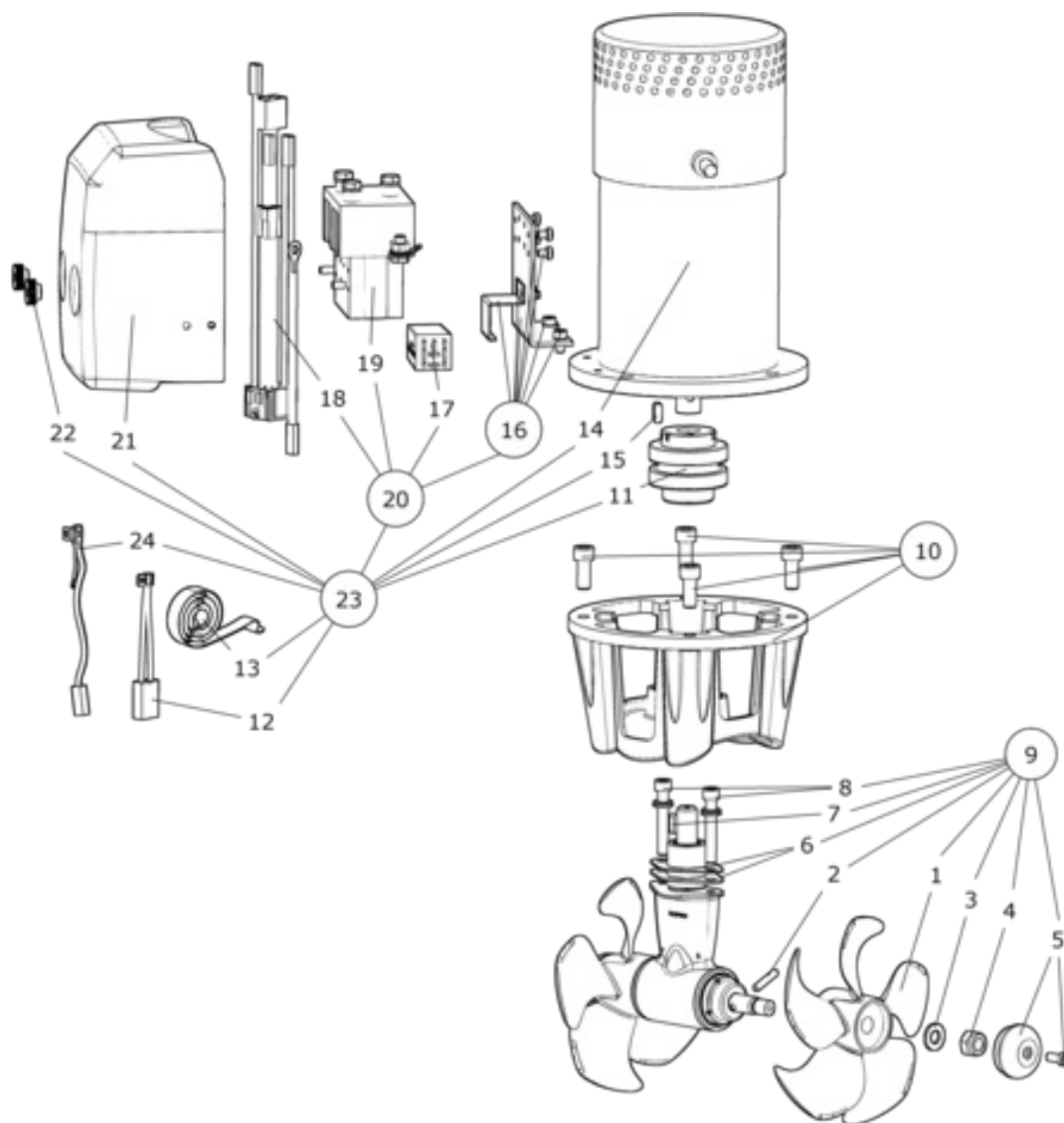


SE80/185T-24V - SE80 SIDE-POWER Tunnel thruster, 24V

Spare parts (valid from 2016-08-29)



#	Description	Product
1	Propeller	7 1261 - Prop ø185/5bl Q-Prop Composite
2	Propeller drivepin	6 1241 - Drivepin for propeller 5mm
3	Propeller washer	7 1181 - Propeller washer
4	Locknut	4 1260 - Locknut
5	Anode	7 1190 A - Alu anode SE60/80/100
6	Gasket	8 0610 - Gasket betw. tun/brak. SP75/95
7	Driveshaft key	6 1440 - Key for flex coupl 7HP/SP75/95
8	Gearleg bolt	7 1080 - Gearleg bolt SP75/95
9	Complete gearleg	8 0601 - Gearleg compl SE80/100
10	Complete motor bracket	8 0501 - Motor bracket compl SE80/100
11	Complete flexible coupling	7 1462 - Flexible coupling 16/20mm
12	Brushes for motor (kit)**	**
13	Brush springs for motor (kit)**	**
14	Electric motor	N/A
15	Key for electric motor shaft	10 1440 - Key for drive shaft SP95/125++
16	Solenoid bracket kit	6 0135 - Solenoid bracket kit SP75
17	Electronic control box	6 1232 I - Delay relay 12/24V, new type
18	Internal wiring loom	6 1226 B - Internal coupl. SP40-55-75-95
19	Solenoid	41371243 - Solenoid compl SE80-170 24V
20	Complete solenoid kit	6 0131 24 - Solenoid kit compl SP75 24V
21	Solenoid Cover	6 2025 - Solenoid cover, SE80T
22	Nut for solenoid cover	6 8810 - Nut for solenoid cover
23	Complete electric motor assembly	6 0101 24 - Electric motor SE80 24V
24	Temp switch*	*

(12) ** Please provide thruster serial # when ordering brushes and brush springs.

(13) ** Please provide thruster serial # when ordering brushes and brush springs.

(24) * Please provide thruster serial # when ordering Temp switch.

The installer alone has responsibility for the installation of the spare parts. Side-Power only warranty the spare parts supplied only.

The information given in the document was correct at the time it was published. However, Sleipner Motor AS can not accept liability for any inaccuracies or omissions it may contain. Continuous product improvement may change the product specifications without notice. Therefore, Sleipner Motor AS can not accept liability for any possible differences between product and document.